

COLOUR FASTNESS TO RUBBING

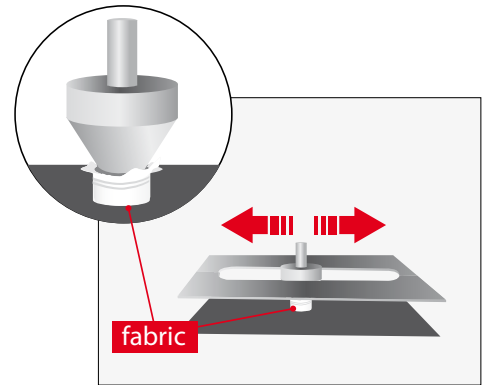
ISO 105-X12



Principle

Colour fastness to rubbing test (also known as the "Crock test") – records the amount of colour that a fabric emits when rubbed. This is mainly for upholstery fabrics.

A fabric sample is placed in the crock test machine. The fabric sample is rubbed with a wet and dry cotton cloth. The amount of colour that stains the cotton cloth is evaluated against the "grey scale" (grade 1 to 5).



Results

Generally following results are acceptable for upholstery fabrics:

- Dry rubbing: grey scale grade minimum 3-4
- Wet rubbing: grey scale grade minimum 3

Application Standards

ISO 105-X12

